

© JWC WORKS ( LICENSES: CC BY-NC-SA )

**PART** FULL MODEL ASSEMBLY

**FILE:** \Spindex\_Swivel\_Base\spindex\_swivel-pivot\_base.iam

**PART #** 0002-1

**PROJECT** SPINDEX SWIVEL/PIVOT BASE

**CREATED** 2/5/2014

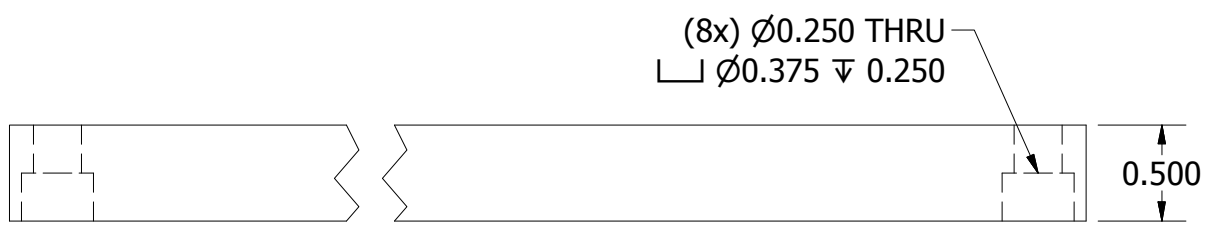
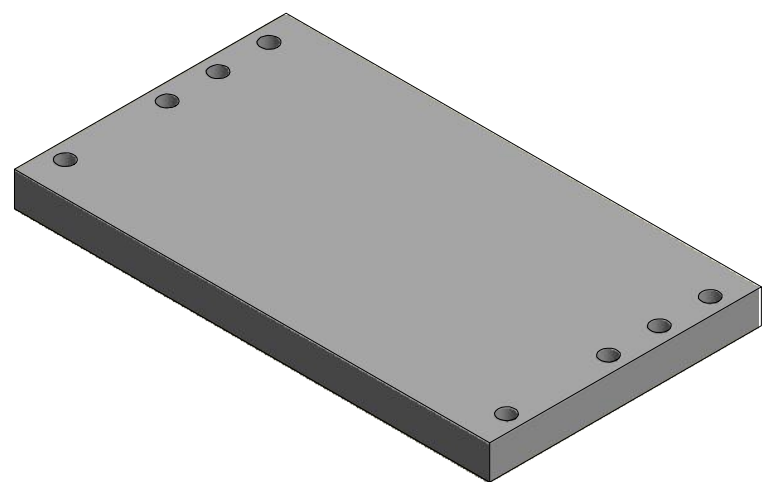
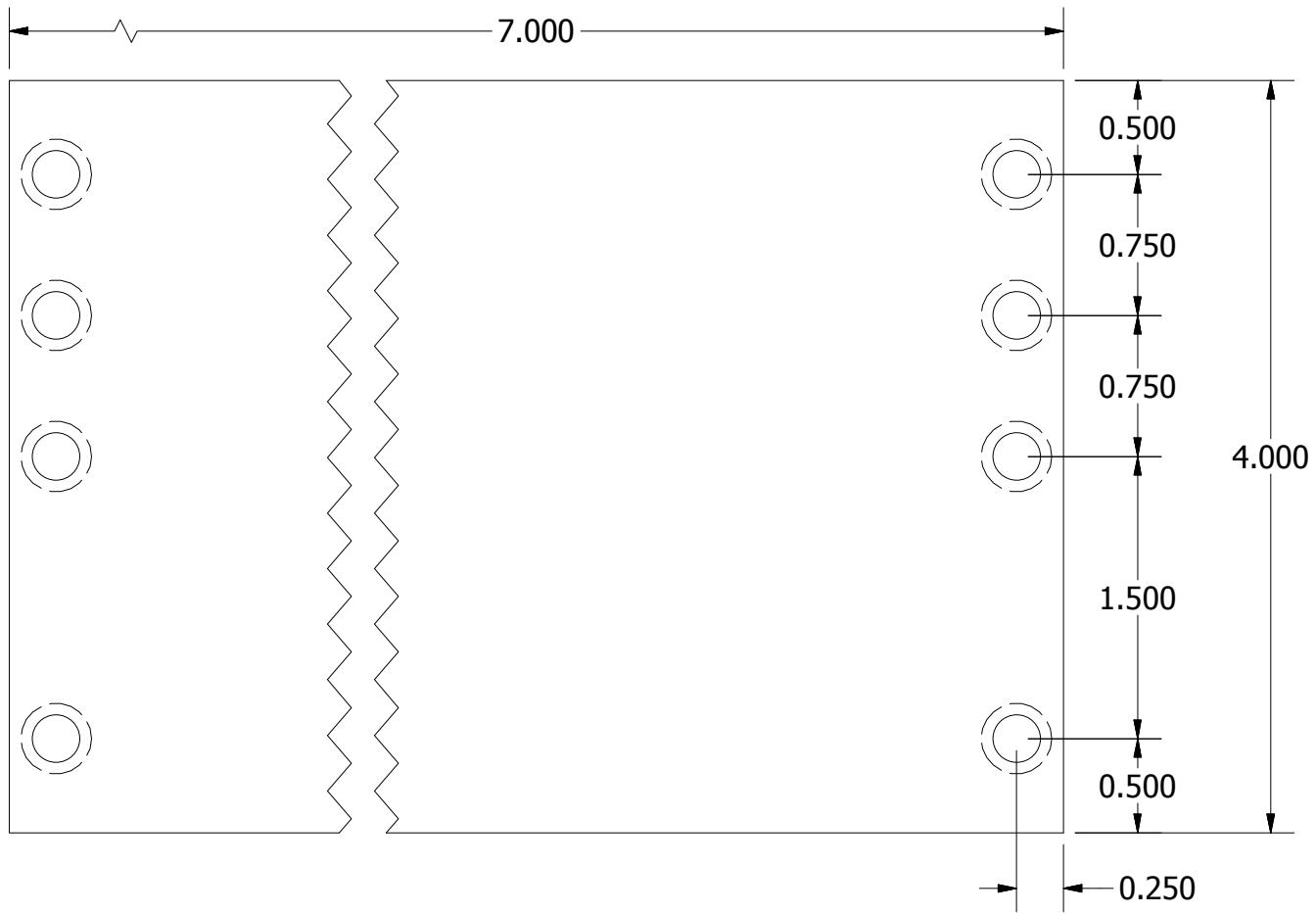
PRINT 1 OF 13

**UPDATED** 2/9/2014

**QTY** 1

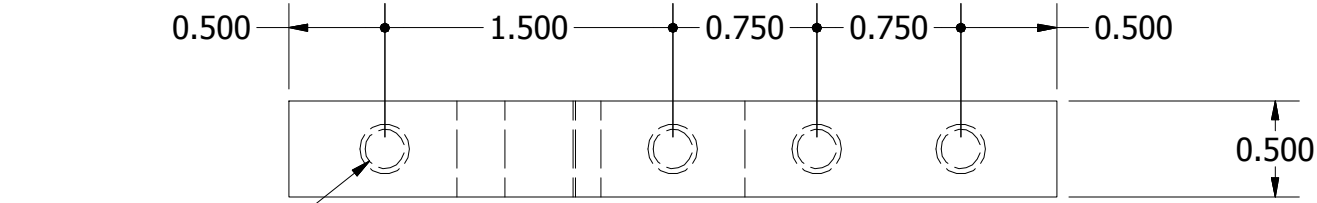
**MATERIAL:**

MIX

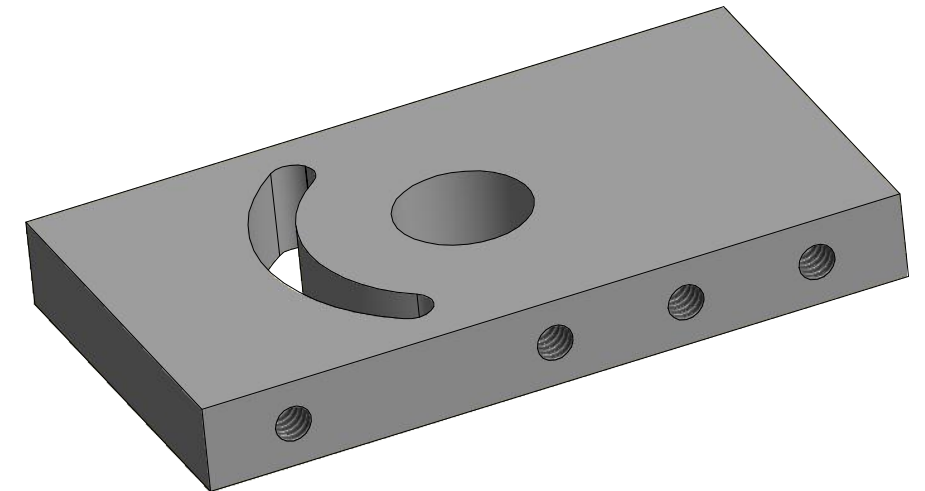
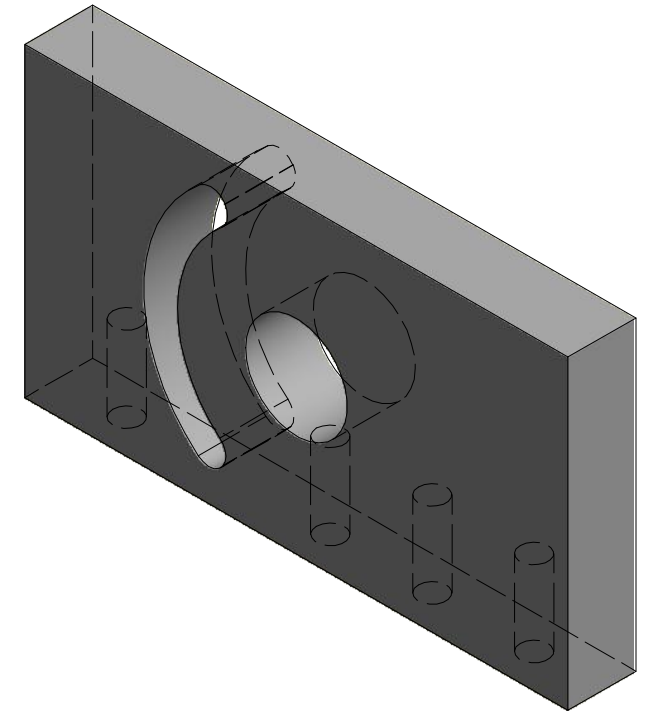
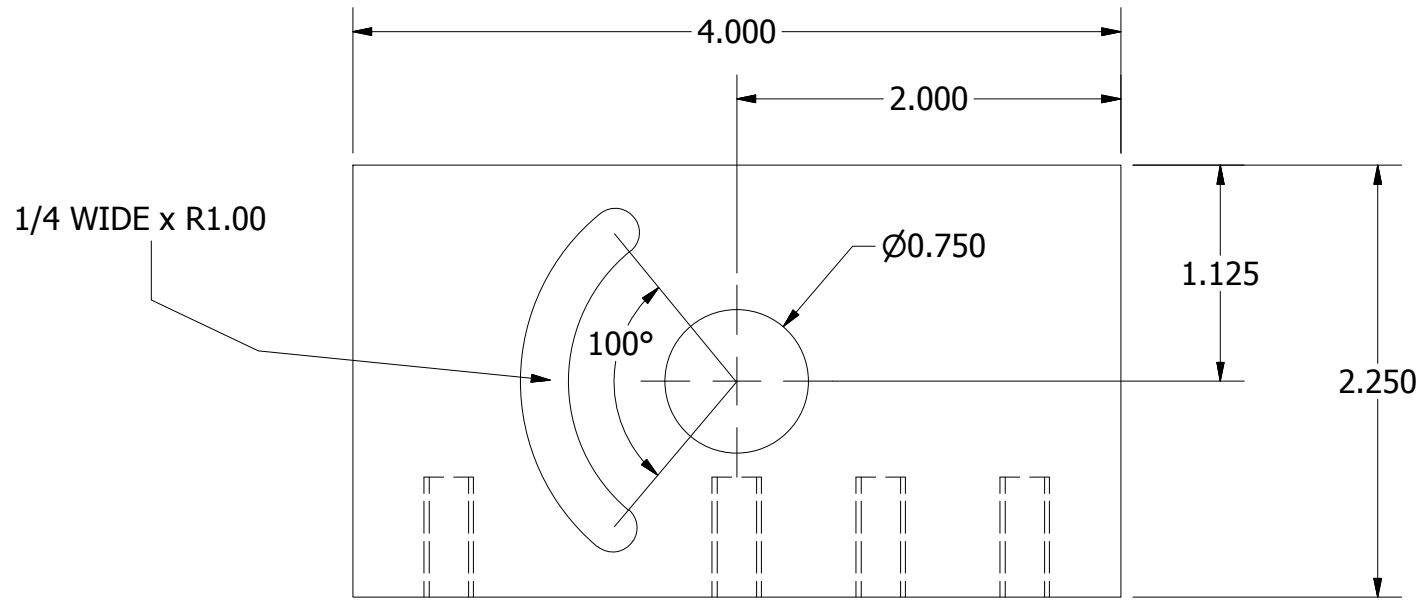


© JWC WORKS ( LICENSES: CC BY-NC-SA )

<b>PART</b> BASE BOTTOM	<b>FILE:</b> \Spindex_Swivel_Base\base_bottom.ipt	<b>PART #</b> 0002-2
<b>PROJECT</b> SPINDEX SWIVEL/PIVOT BASE	<b>CREATED</b> 2/5/2014 PRINT 2 OF 13 <b>UPDATED</b> 2/9/2014	<b>QTY</b> 1 <b>MATERIAL:</b> MILD STEEL



(4X)  $\varnothing 0.205$   
 $\nabla 0.625$   
 1/4-20 TAP



© JWC WORKS ( LICENSES: CC BY-NC-SA )

**PART** BASE SIDE MOUNT

**FILE:** \Spindex\_Swivel\_Base\base\_side.ipt

**PART #** 0002-3

**PROJECT** SPINDEX SWIVEL/PIVOT BASE

**CREATED** 2/5/2014

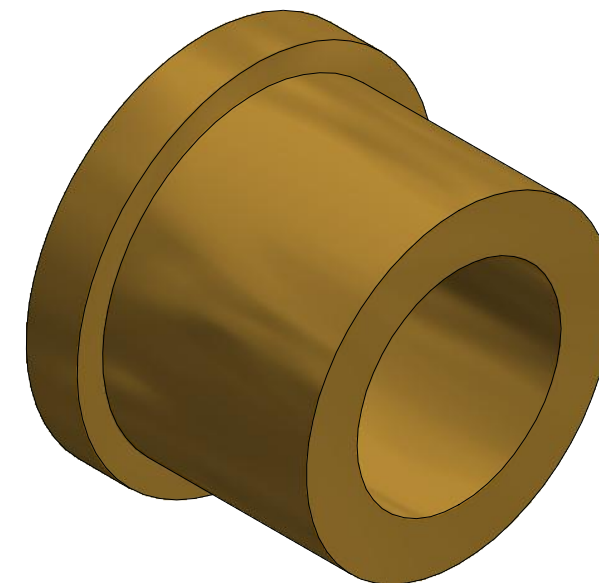
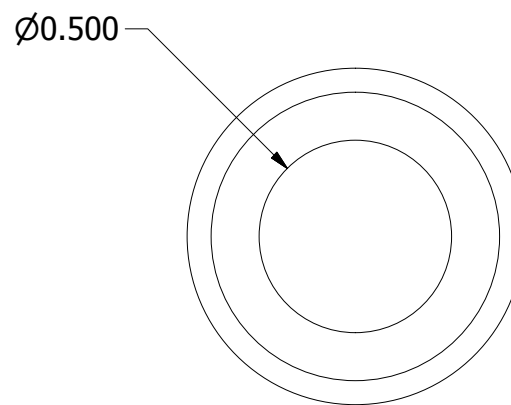
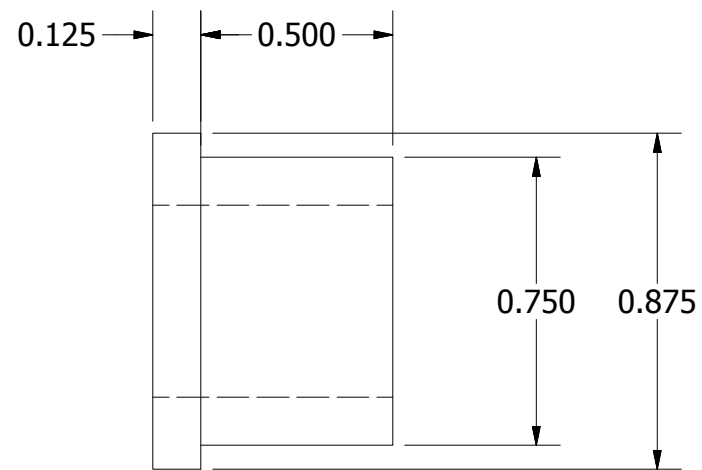
PRINT 3 OF 13

**UPDATED** 2/9/2014

**QTY** 2

**MATERIAL:**

MILD STEEL



© JWC WORKS ( LICENSES: CC BY-NC-SA )

**PART** BASE SIDE BUSHING

**FILE:** \Spindex\_Swivel\_Base\base\_side\_bushing.ipt

**PART #** 0002-4

**PROJECT** SPINDEX SWIVEL/PIVOT BASE

**CREATED** 2/5/2014

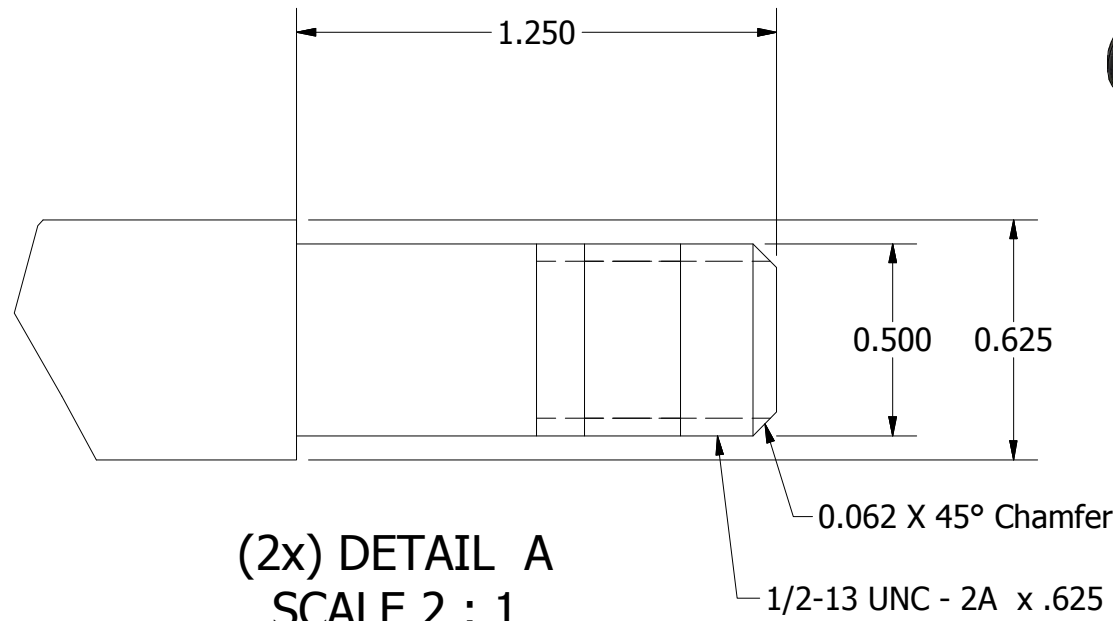
PRINT 4 OF 13

**UPDATED** 2/9/2014

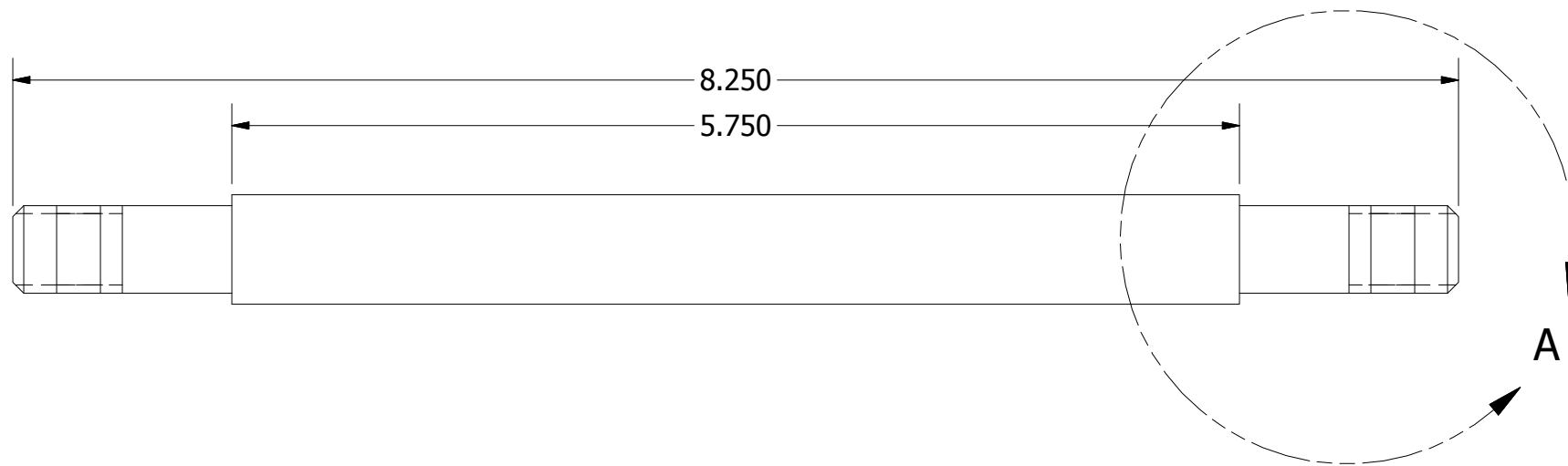
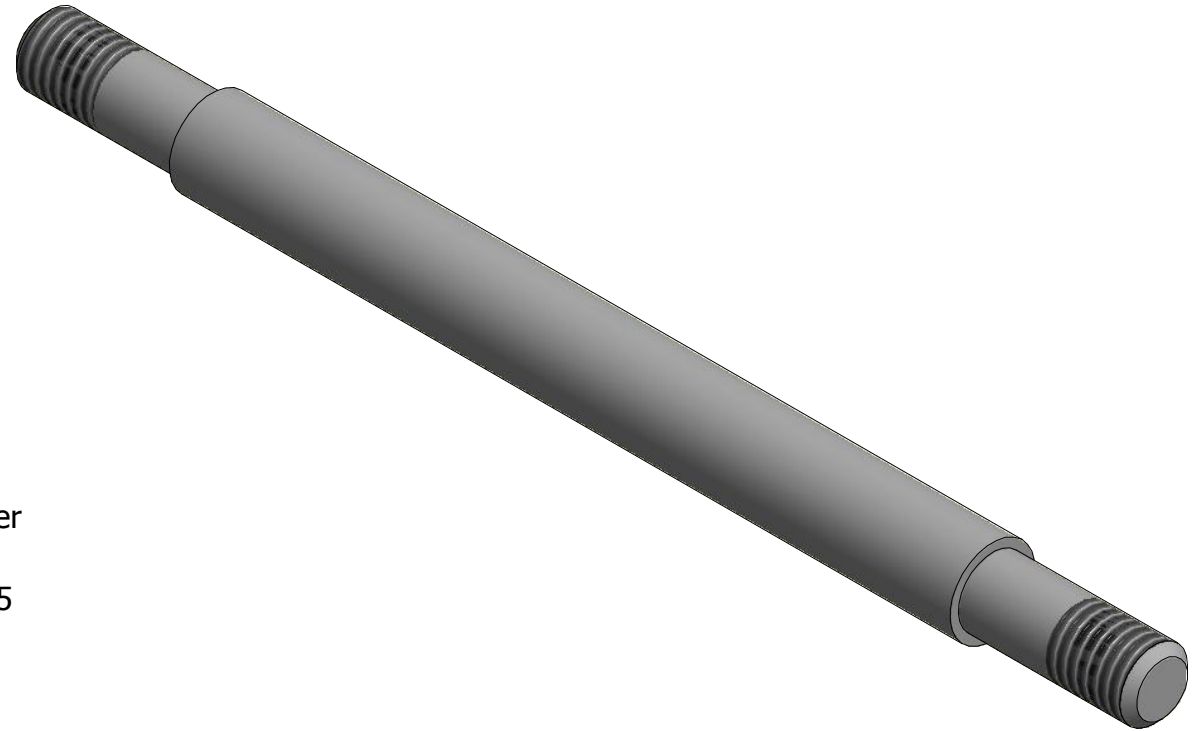
**QTY** 2

**MATERIAL:**

BRONZE



(2x) DETAIL A  
SCALE 2 : 1



© JWC WORKS ( LICENSES: CC BY-NC-SA )

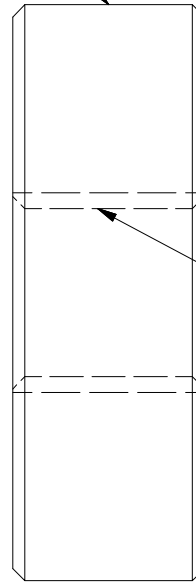
<b>PART</b> AXLE	<b>FILE:</b> \Spindex_Swivel_Base\axle.ipt	<b>PART #</b> 0002-5
<b>PROJECT</b> SPINDEX SWIVEL/PIVOT BASE	<b>CREATED</b> 2/5/2014	<b>PRINT</b> 5 OF 13
	<b>UPDATED</b> 2/9/2014	<b>QTY</b> 1
	<b>MATERIAL:</b> MILD STEEL	



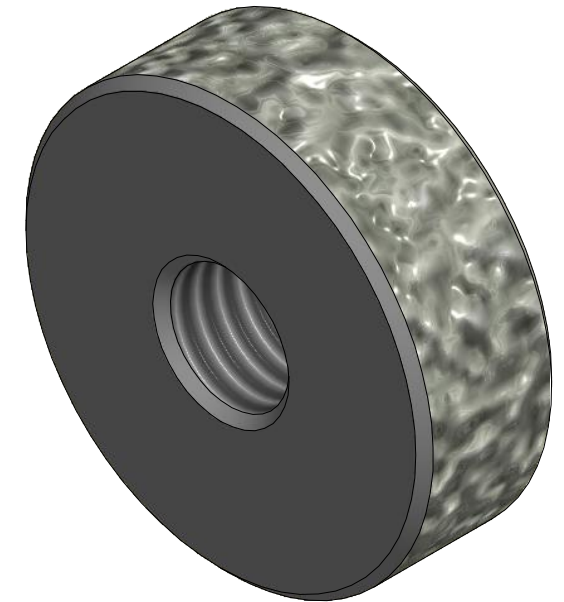
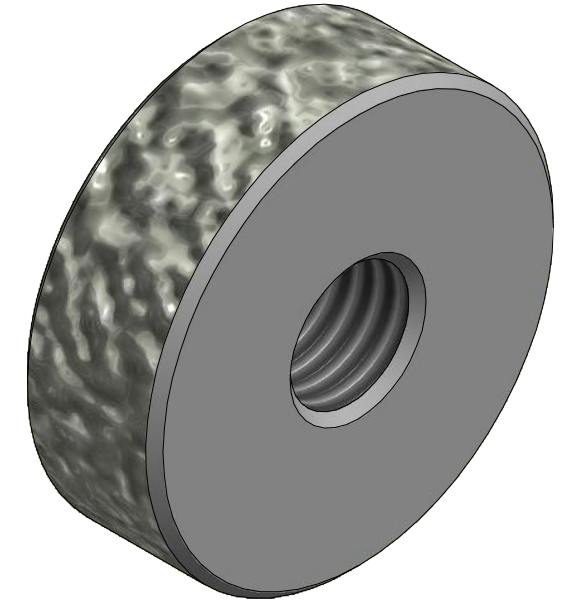
1.500

KNURLED OD

(2x) 0.032 X 45° Chamfer



Ø0.437 THRU  
1/2-13 TAP



© JWC WORKS ( LICENSES: CC BY-NC-SA )

**PART** AXLE NUT

**FILE:** \Spindex\_Swivel\_Base\axle\_nut.ipt

**PART #** 0002-6

**PROJECT** SPINDEX SWIVEL/PIVOT BASE

**CREATED** 2/5/2014

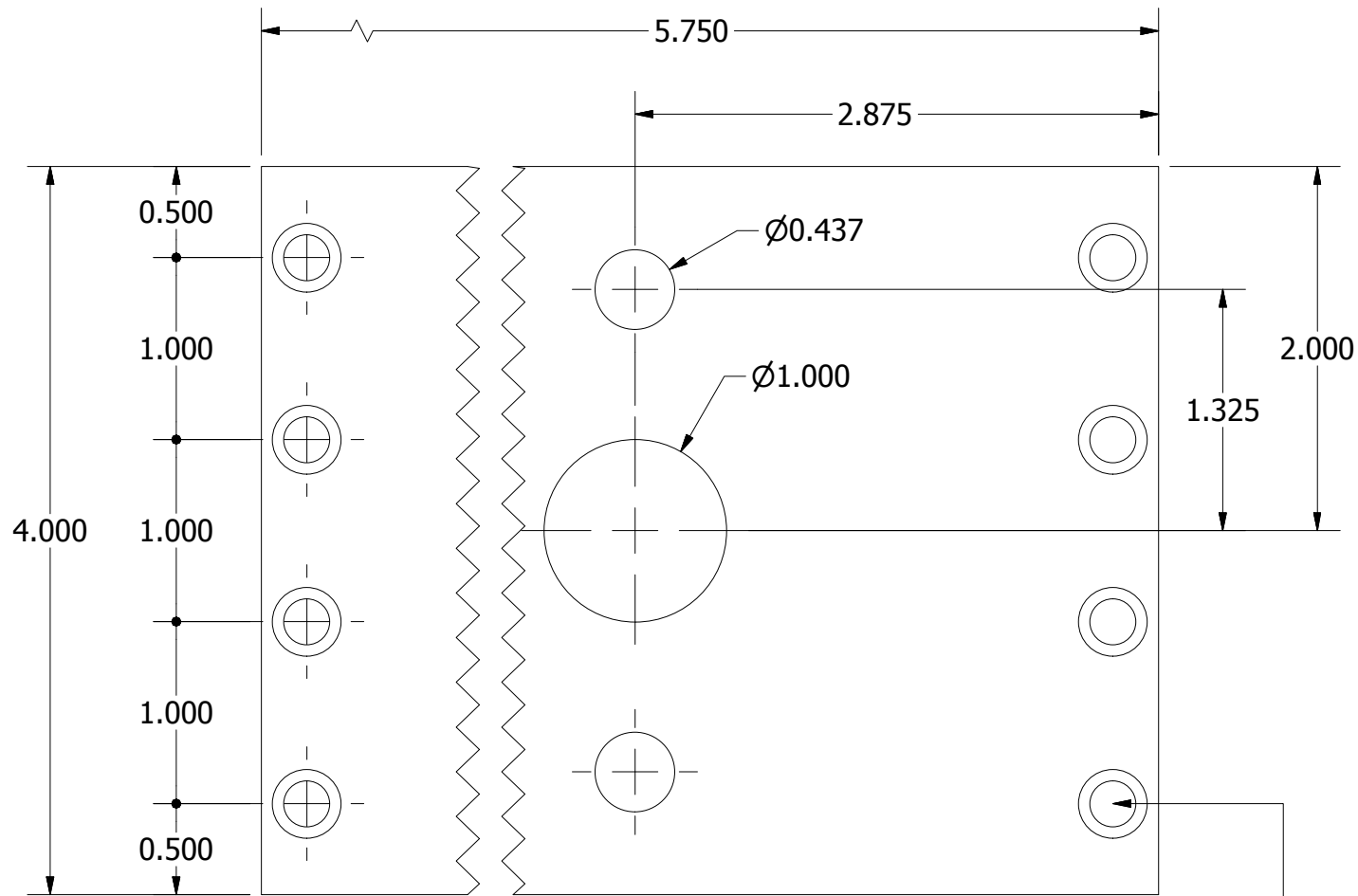
PRINT 6 OF 13

**UPDATED** 2/9/2014

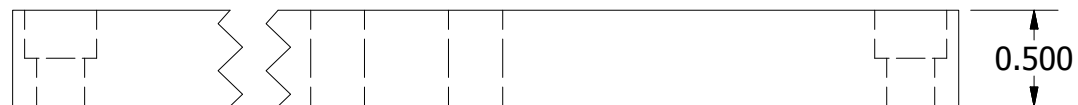
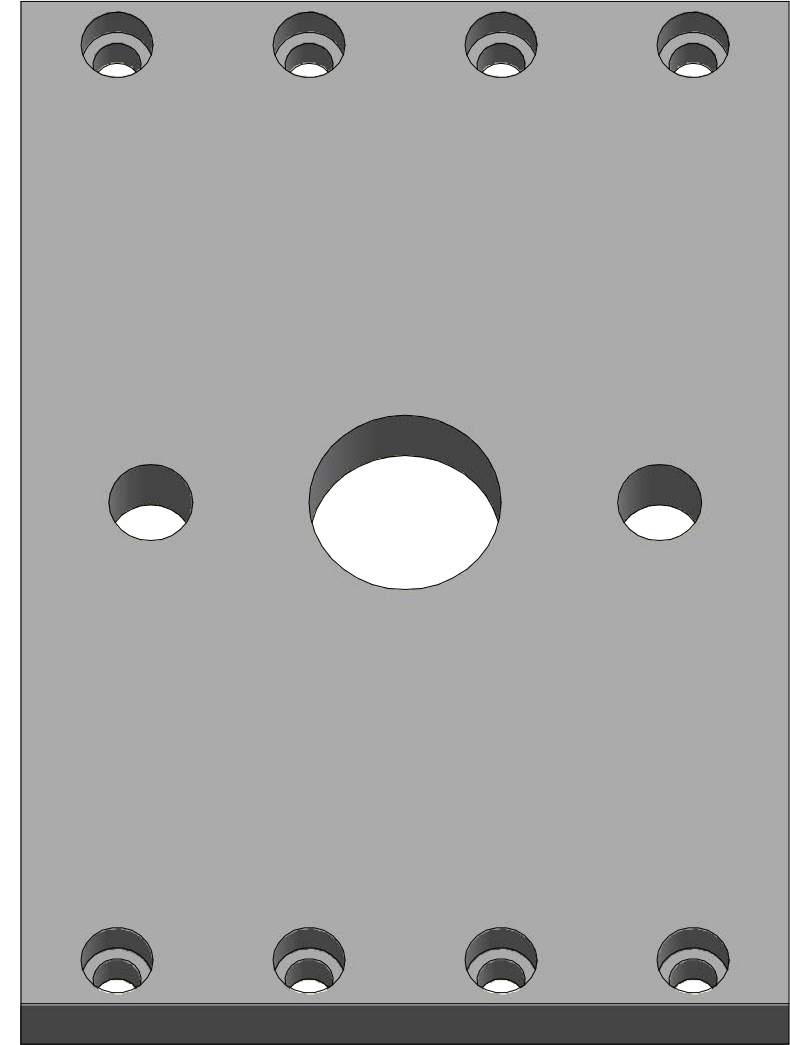
**QTY** 2

**MATERIAL:**

MILD STEEL



(8x) Ø .250 THRU  
 □ Ø.375 ▽.250



© JWC WORKS ( LICENSES: CC BY-NC-SA )

**PART** PIVOT PLATE TOP

**FILE:** \Spindex\_Swivel\_Base\pivot\_plate\_top.ipt

**PART #** 0002-7

**PROJECT** SPINDEX SWIVEL/PIVOT BASE

**CREATED** 2/5/2014

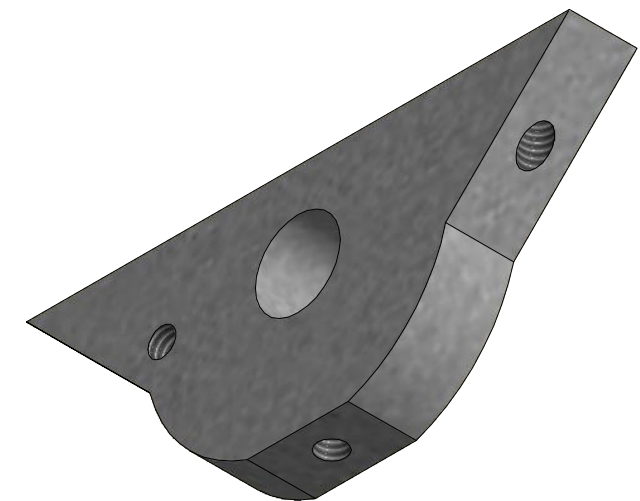
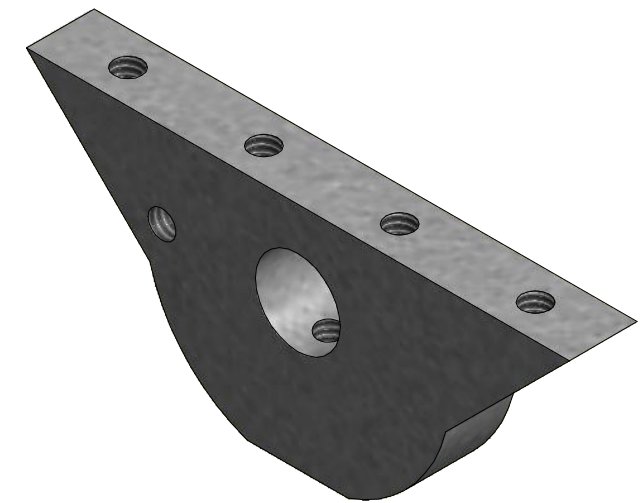
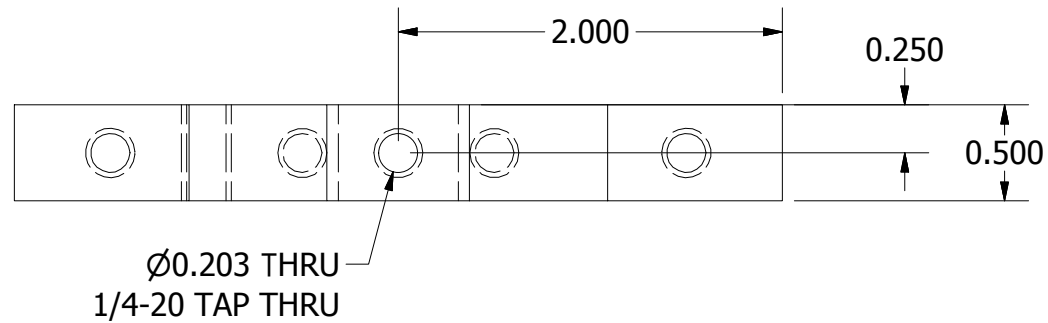
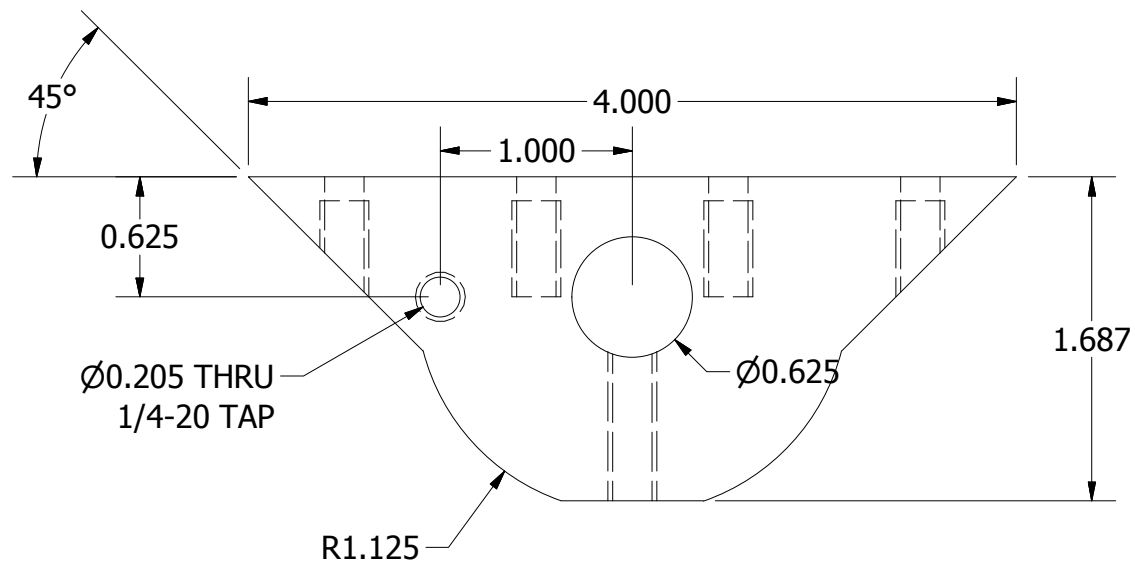
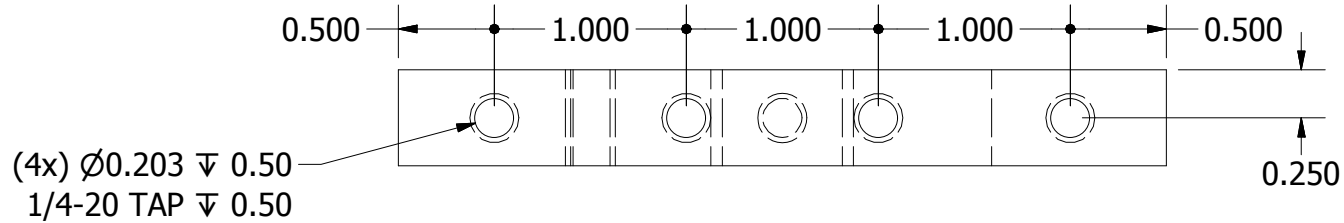
PRINT 7 OF 13

**UPDATED** 2/9/2014

**QTY** 1

**MATERIAL:**

MILD STEEL



© JWC WORKS ( LICENSES: CC BY-NC-SA )

**PART** PIVOT PLATE SIDE

**FILE:** \Spindex\_Swivel\_Base\pivot\_plate\_side.ipt

**PART #** 0002-8

**PROJECT** SPINDEX SWIVEL/PIVOT BASE

**CREATED** 2/5/2014

PRINT 8 OF 13

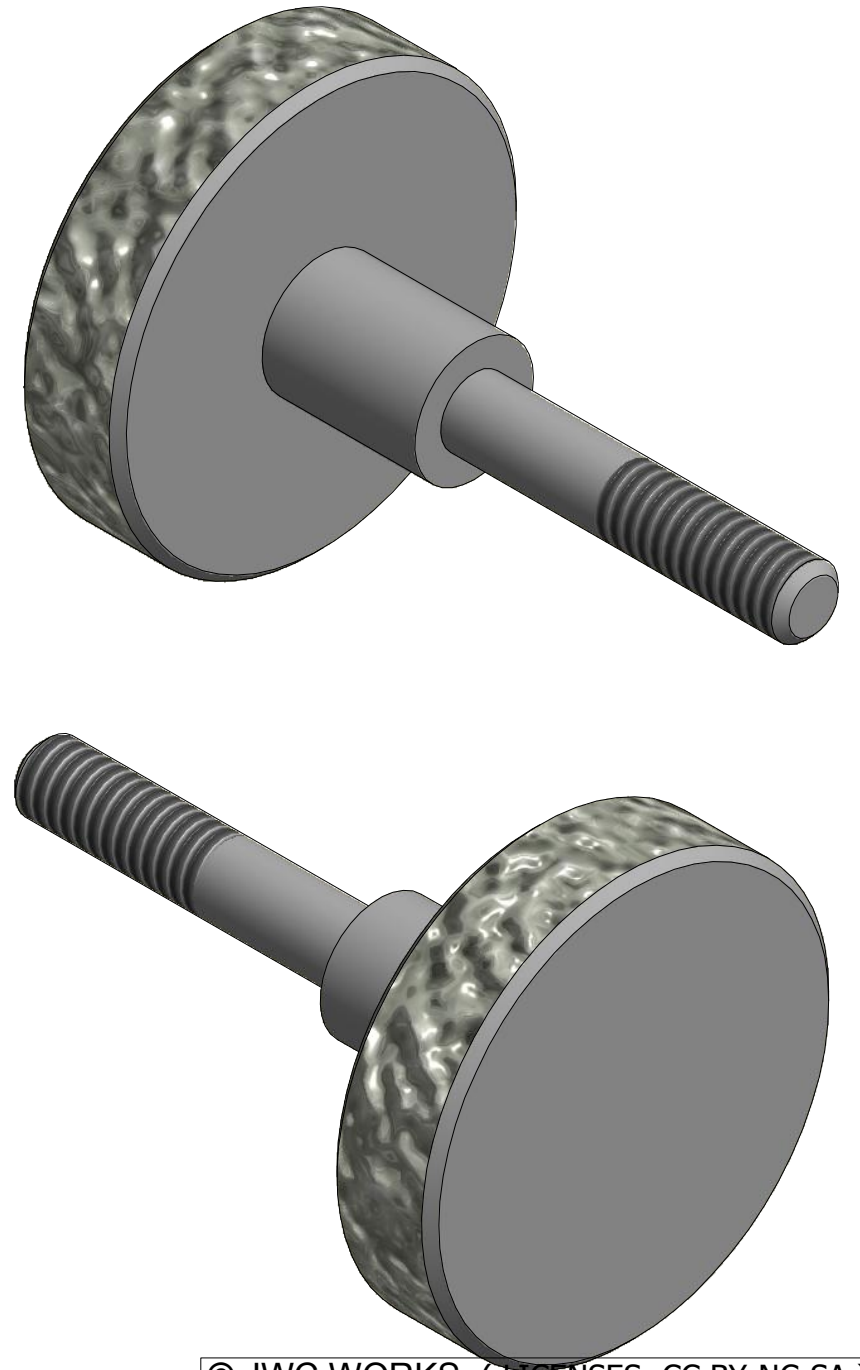
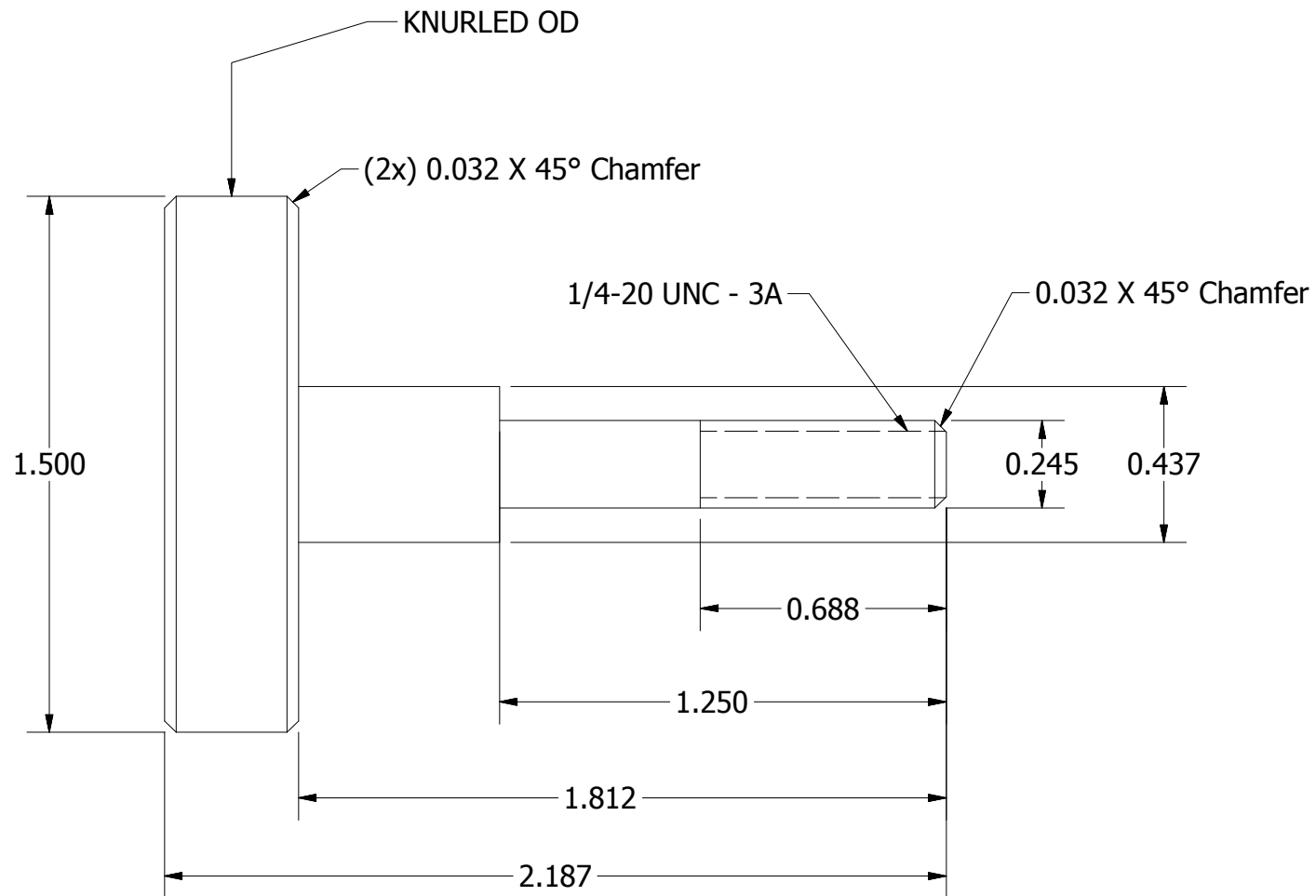
**UPDATED** 2/9/2014

**QTY** 2

**MATERIAL:**

MILD STEEL





© JWC WORKS ( LICENSES: CC BY-NC-SA )

**PART** PIVOT LOCK SCREW

**FILE:** \Spindex\_Swivel\_Base\pivot\_screw.ipt

**PART #** 0002-9

**PROJECT** SPINDEX SWIVEL/PIVOT BASE

**CREATED** 2/5/2014

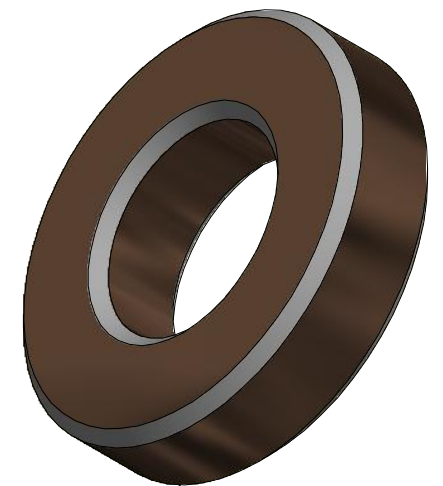
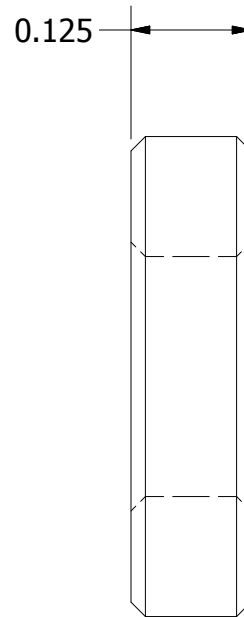
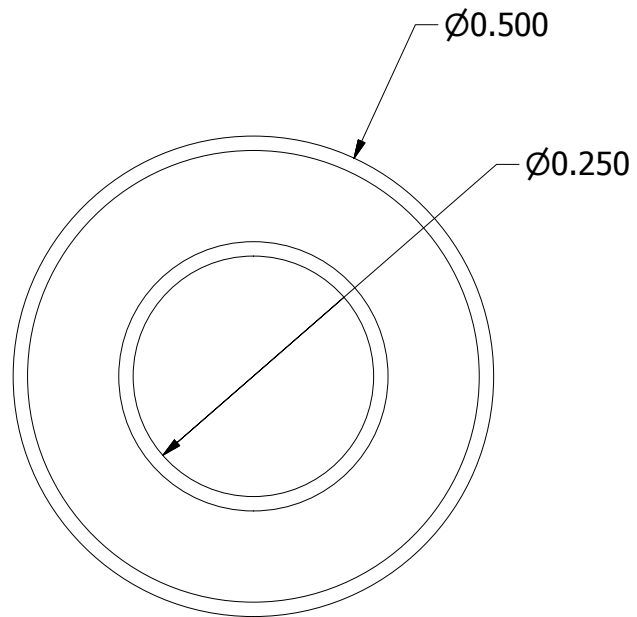
PRINT 9 OF 13

**UPDATED** 2/9/2014

**QTY** 2

**MATERIAL:**

MILD STEEL



© JWC WORKS ( LICENSES: CC BY-NC-SA )

**PART** PIVOT SPACER

**FILE:** \Spindex\_Swivel\_Base\pivot\_washer.ipt

**PART #** 0002-10

**PROJECT** SPINDEX SWIVEL/PIVOT BASE

**CREATED** 2/5/2014

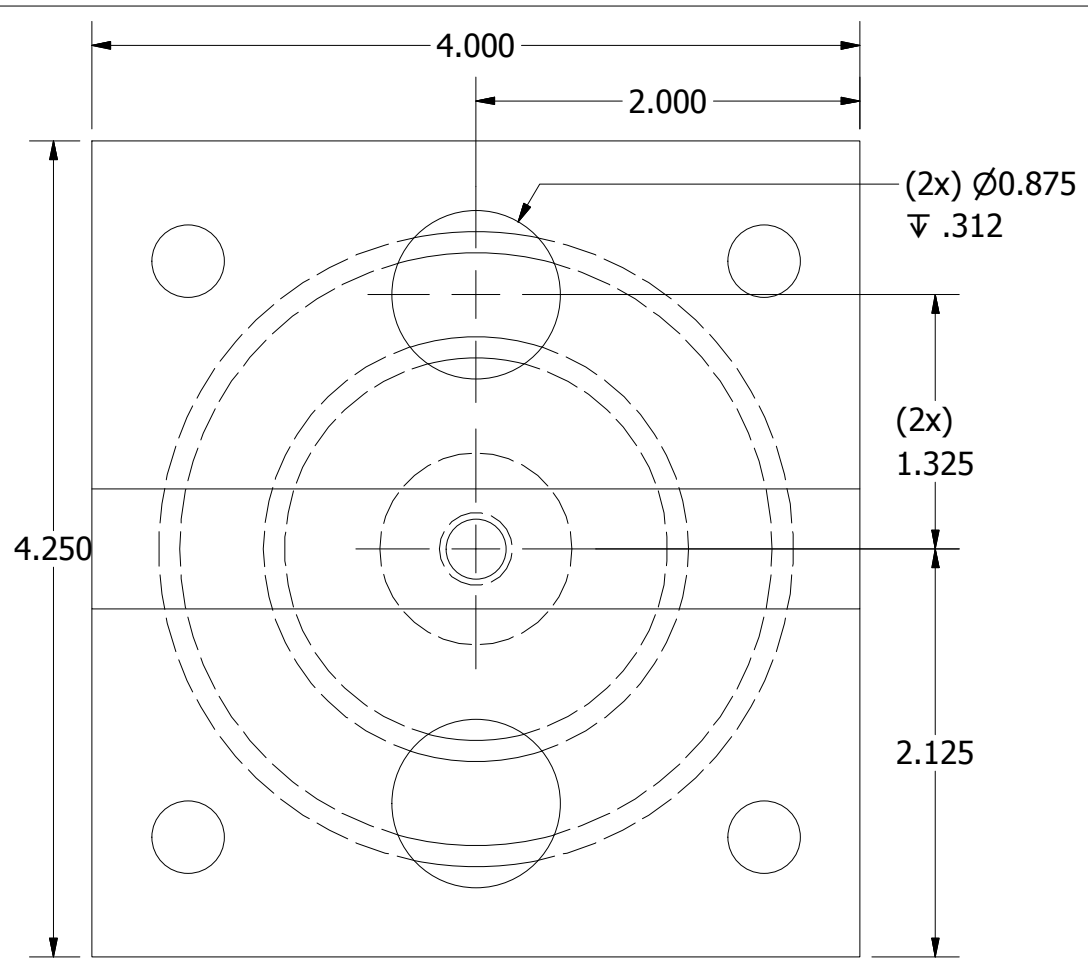
PRINT 10 OF 13

**UPDATED** 2/9/2014

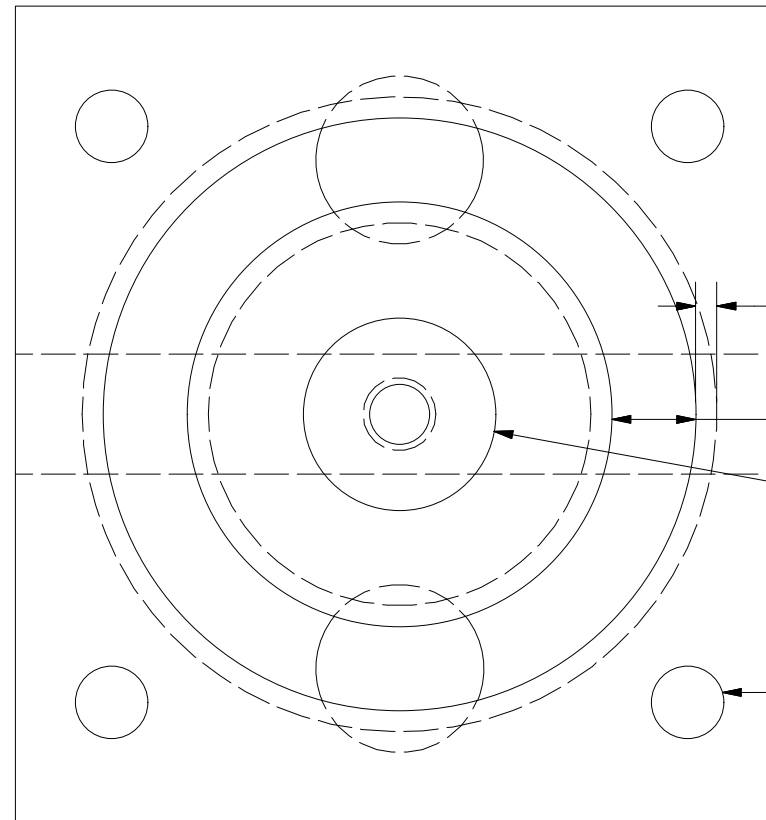
**QTY** 2

**MATERIAL:**

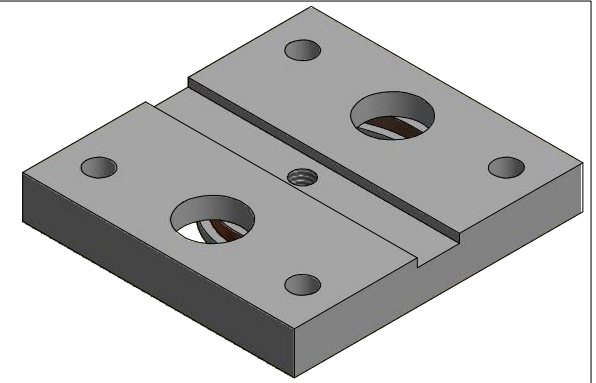
BRONZE



VIEW C-C (TOP)  
SCALE 1 : 1



VIEW B-B (BOTTOM)  
SCALE 1 : 1

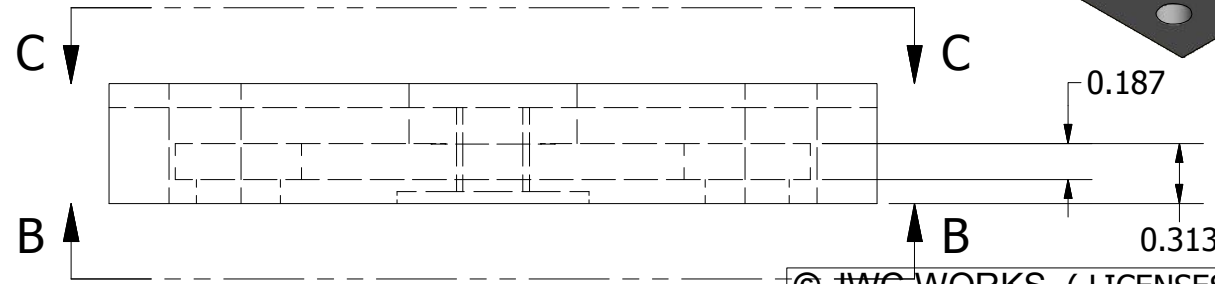
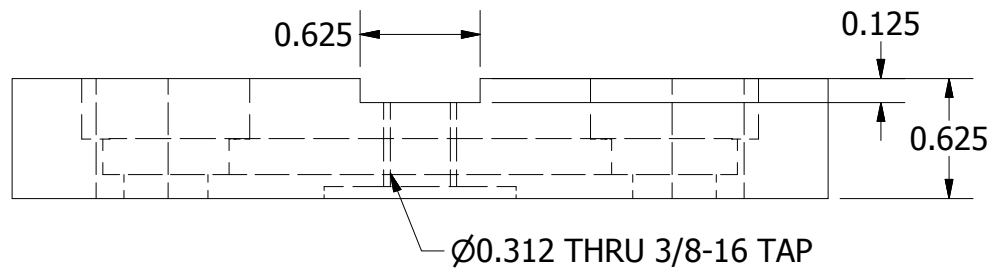
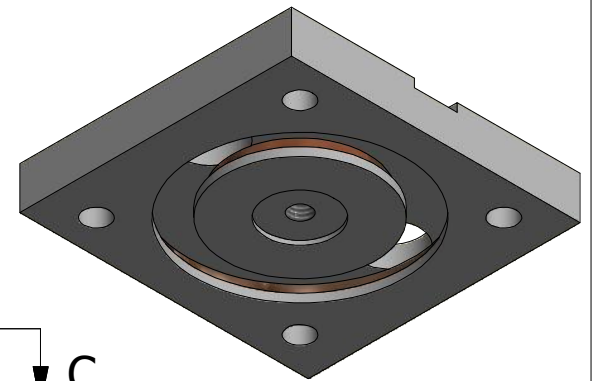


0.110 GROOVE  
DEPTH BOTH OD/ID

0.437 @ R1.215  $\nabla 0.313$

$\varnothing 1.000$   $\nabla .062$

(4x) 'O' DRILL & 3/8 - 16 TAP  
MATCH SPINDEX BASE



© JWC WORKS ( LICENSES: CC BY-NC-SA )

PART SWIVEL PLATE TOP

FILE: \Spindex\_Swivel\_Base\swivel\_plate\_top.ipt

PART # 0002-11

PROJECT SPINDEX SWIVEL/PIVOT BASE

CREATED 2/5/2014

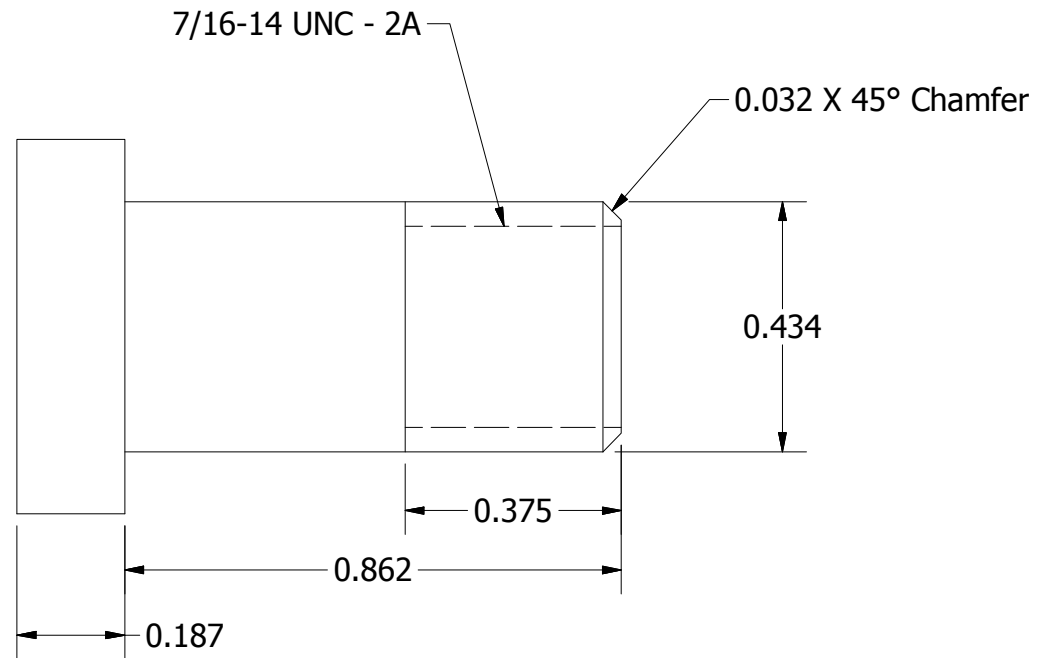
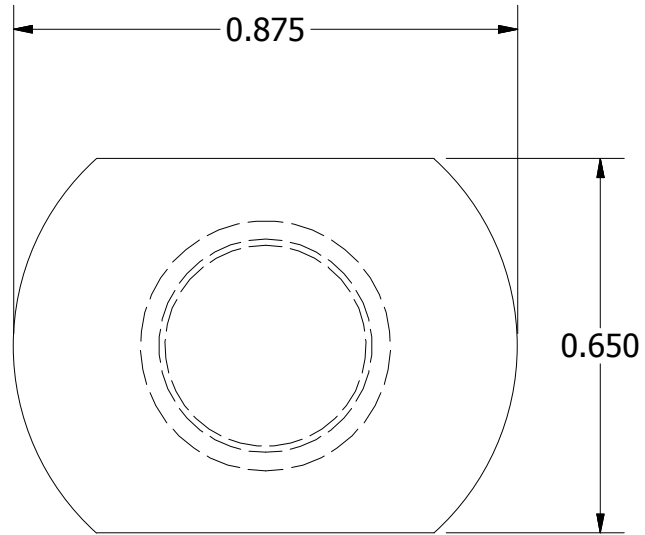
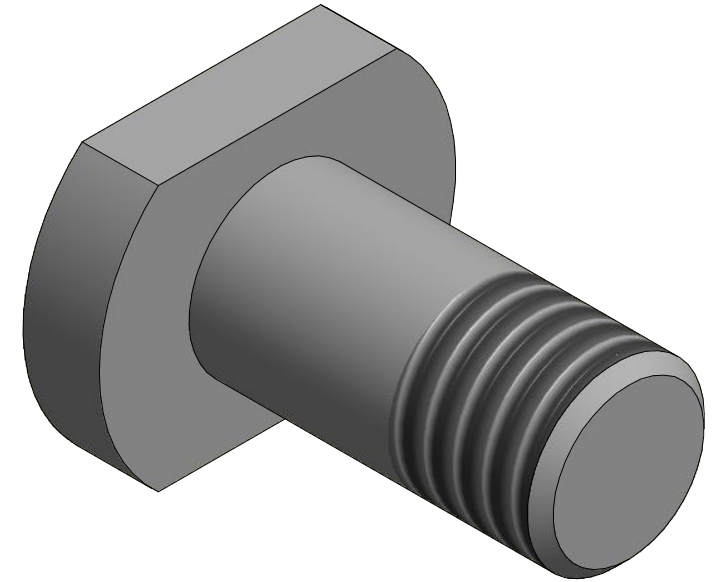
PRINT 11 OF 13

UPDATED 2/9/2014

QTY 1

MATERIAL:

MILD STEEL



© JWC WORKS ( LICENSES: CC BY-NC-SA )

**PART** SWIVEL SCREW

**FILE:** \Spindex\_Swivel\_Base\swivel\_screws.ipt

**PART #** 0002-12

**PROJECT** SPINDEX SWIVEL/PIVOT BASE

**CREATED** 2/5/2014

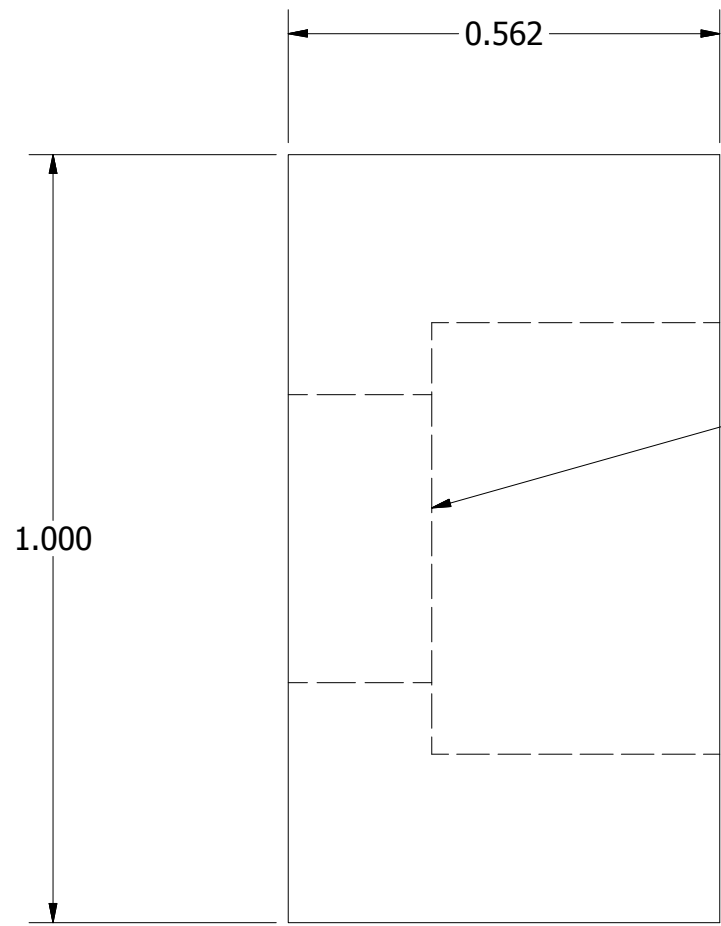
PRINT 12 OF 13

**UPDATED** 2/9/2014

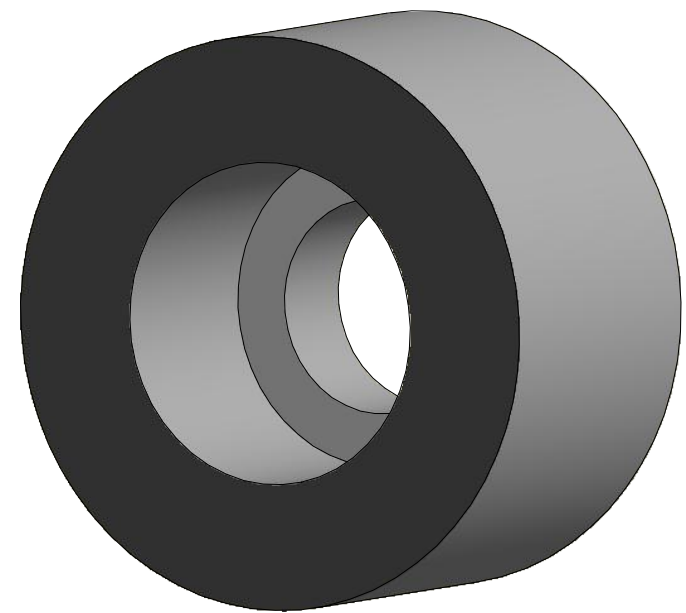
**QTY** 2

**MATERIAL:**

MILD STEEL



$\varnothing 0.375$  THRU  
 $\sqsubset \varnothing 0.562 \nabla 0.375$



© JWC WORKS ( LICENSES: CC BY-NC-SA )

<b>PART</b> SWIVEL SPIGOT	<b>FILE:</b> \Spindex_Swivel_Base\swivel_spigot.ipt	<b>PART #</b> 0002-13
<b>PROJECT</b> SPINDEX SWIVEL/PIVOT BASE	<b>CREATED</b> 2/5/2014	PRINT 13 OF 13
<b>UPDATED</b> 2/9/2014	<b>QTY</b> 1	<b>MATERIAL:</b> MILD STEEL